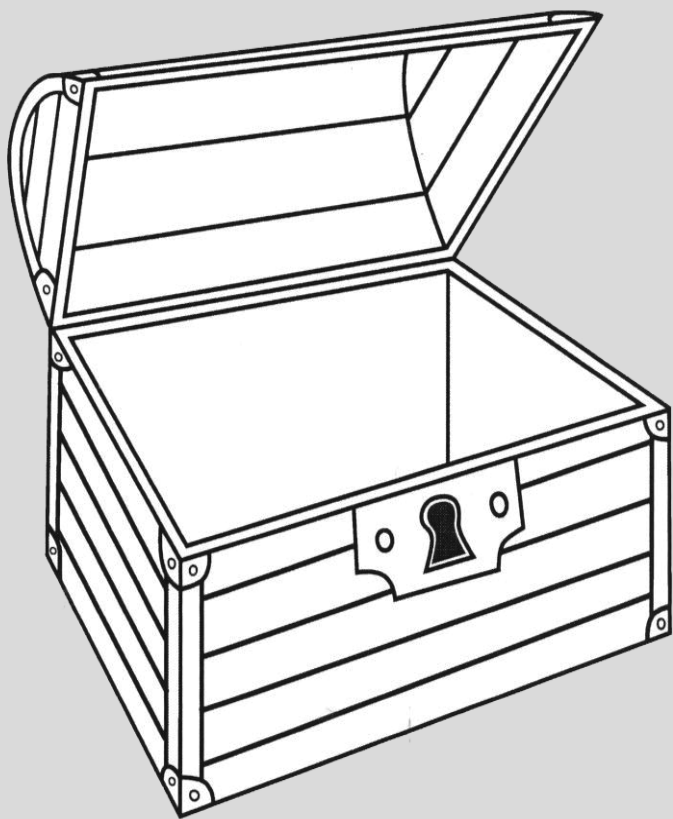


# Investigate the News

## WORDS that COUNT

Which of these words do you know and use? sleuth, detective, mystery, investigate, clues, puzzles, research and/or study. As you read your print and/or online newspaper, fill your treasure chest with words worth learning.



**SHARE** words with your friends, or use the words worth learning in conversations.